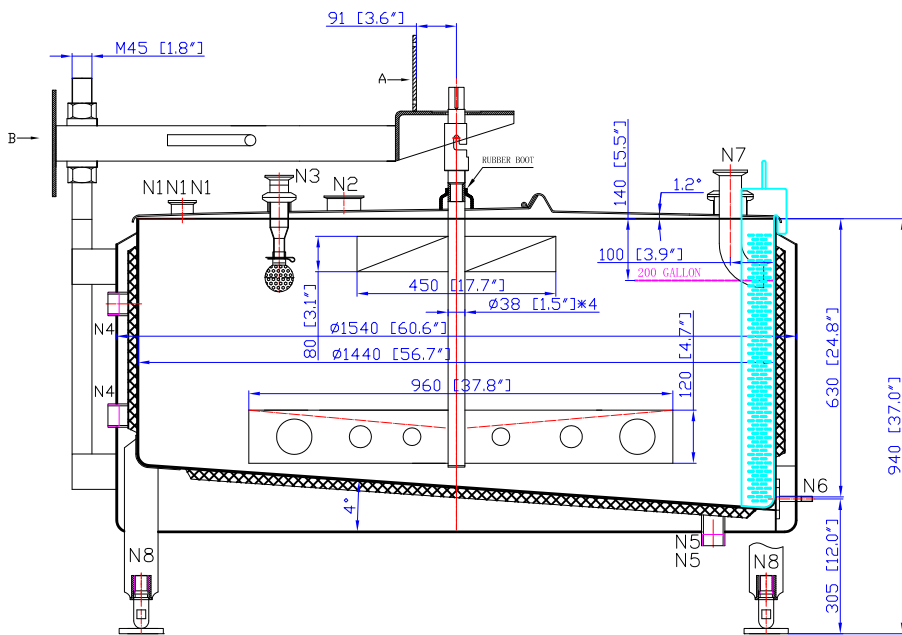
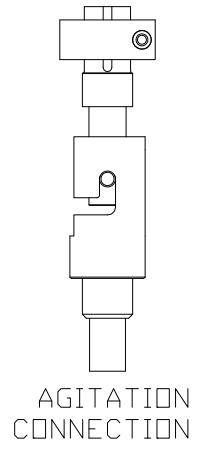
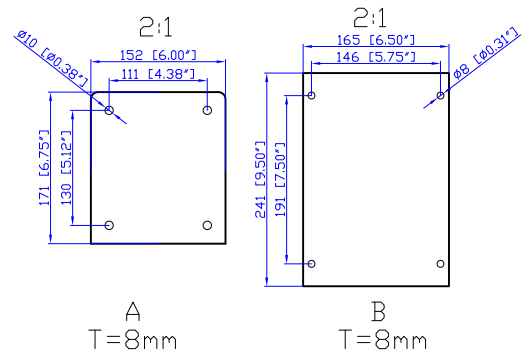
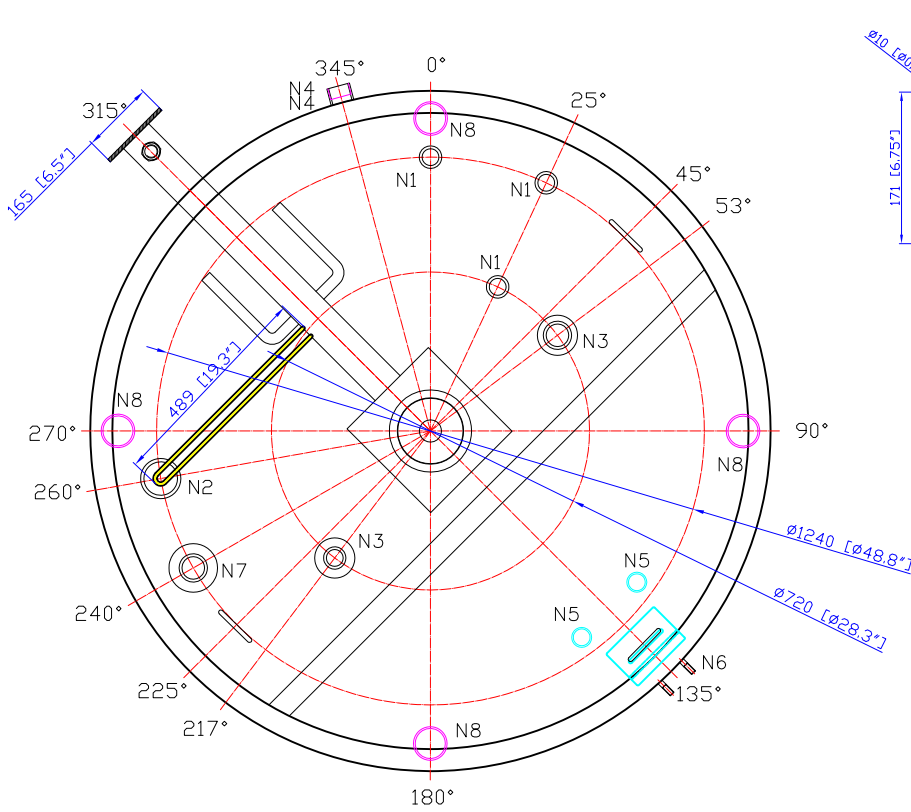


Anco Equipment  
 Model: BP-OT  
 Serial: 200-2557  
 Volume: 200 Gallons



|     |            |           |     |     |
|-----|------------|-----------|-----|-----|
| N8  | LEG        |           | 304 | 4   |
| N7  | INLET      | 2" X 3"   | 304 | 1   |
| N6  | OUTLET     | 2" VALVE  | 304 | 1   |
| N5  | JACKET     | 1.5" FNPT | 304 | 2   |
| N4  | JACKET     | 1.5" FNPT | 304 | 2   |
| N3  | CIP        | 1.5" X 3" | 304 | 2   |
| N2  | PORT       | 3"        | 304 | 1   |
| N1  | EXTRA PORT | 1.5"      | 304 | 3   |
| NO. | ITEM       | SIZE      | MAT | QTY |