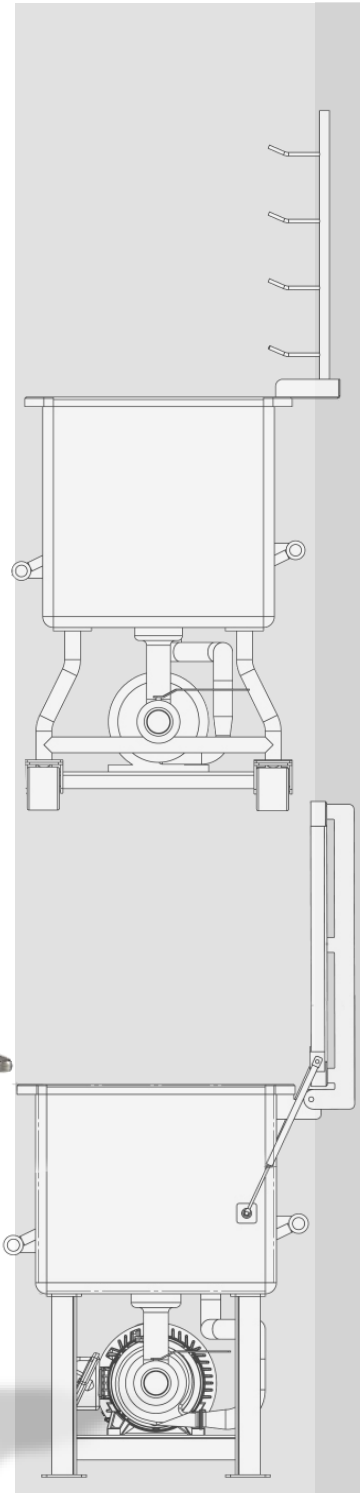
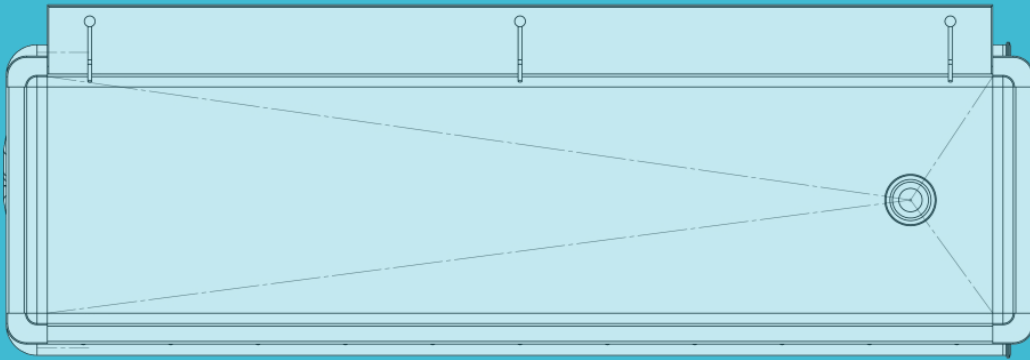


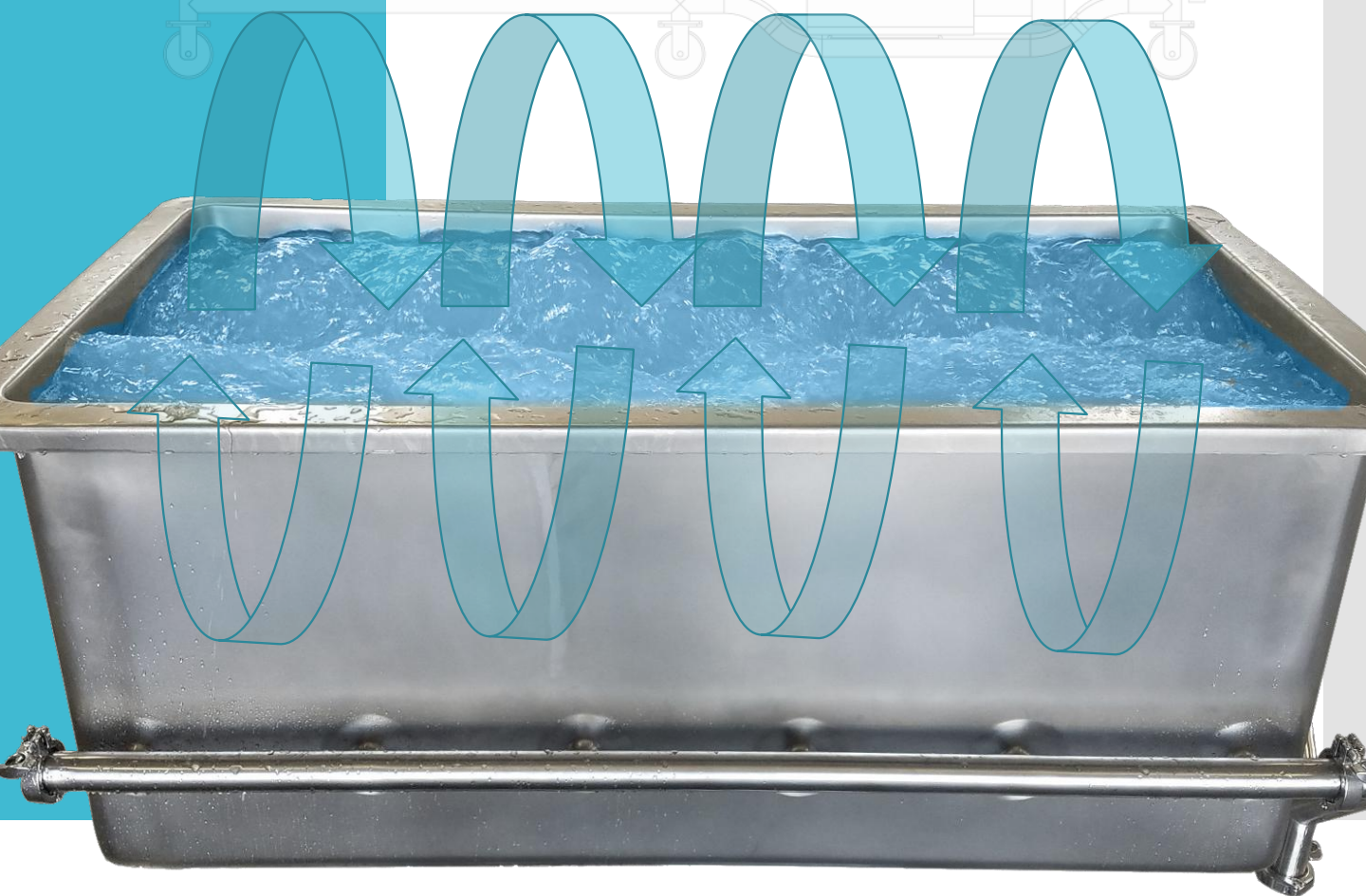


Clean out of place (COP) Tanks and washers

Serving the food, dairy, & beverage industry with strong,
long-lasting equipment at competitive prices.



The Anco Clean Out of Place (COP) immersion parts washer is designed to provide a consistent alternative to manual cleaning. Our COP tanks come with sanitary jet manifolds, which are fully welded and polished to eliminate unsanitary crevices and high-velocity turbulence. This continuous agitation effectively removes residue from piping, hoses and a wide variety of machine parts.



Custom dimensions are available upon request. The horse power of the pump will depend on the PSI, flow rate, and level of debris you are cleaning.

4 Ft Standard COP Tank

- 48" L x 24" W x 21" H (tank basin only)
- 3 H.P. Ampco Pump*
- Cover, Side Jets and Back Racking Available



6 Ft Standard COP Tank

- 72" L x 24" W x 21" H (tank basin only)
- 5 H.P. Ampco Pump*
- Cover, Side Jets and Back Racking Available



8 Ft Standard COP Tank

- 96" L x 30" W x 24" H (tank basin only)
- 7.5 H.P. Ampco Pump*
- Cover, Side Jets and Back Racking Available



10 Ft Standard COP Tank

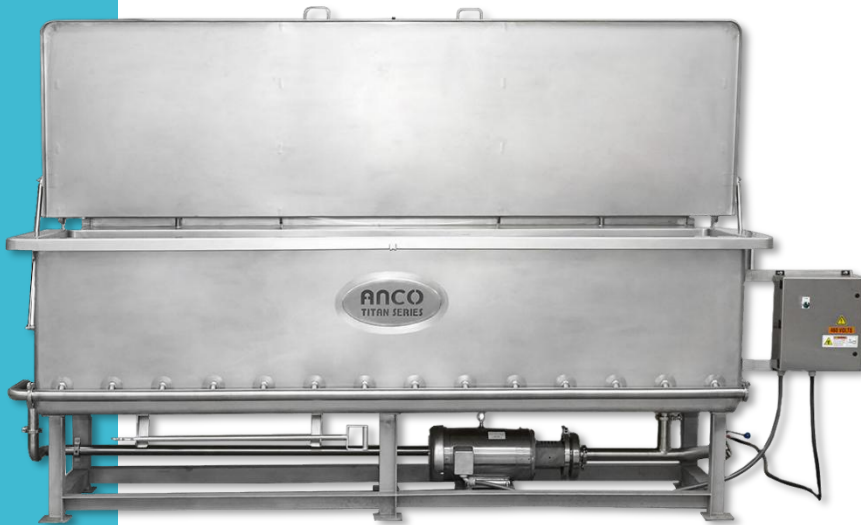
- 120" L x 30" W x 24" H (tank basin only)
- 7.5 H.P. Ampco Pump*
- Cover, Side Jets and Back Racking Available

12 Ft Standard COP Tank

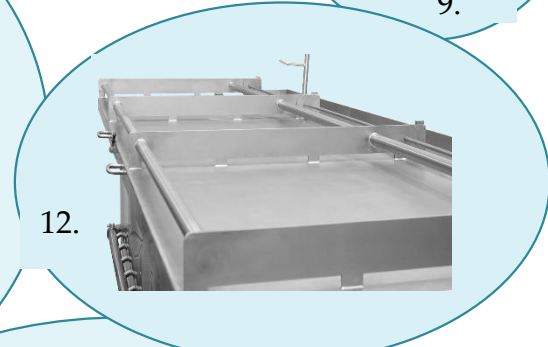
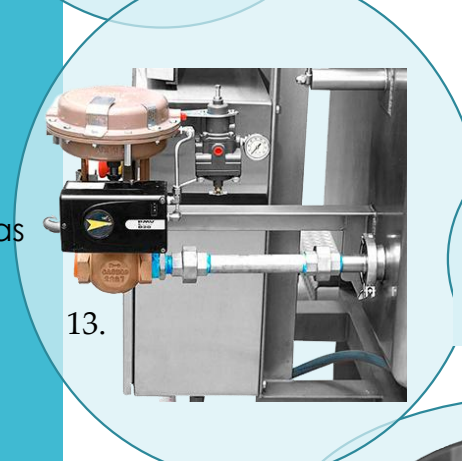
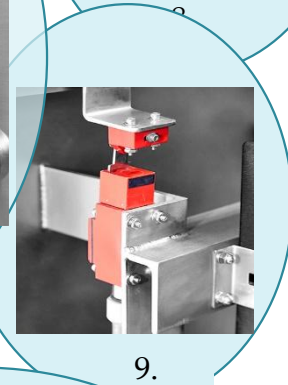
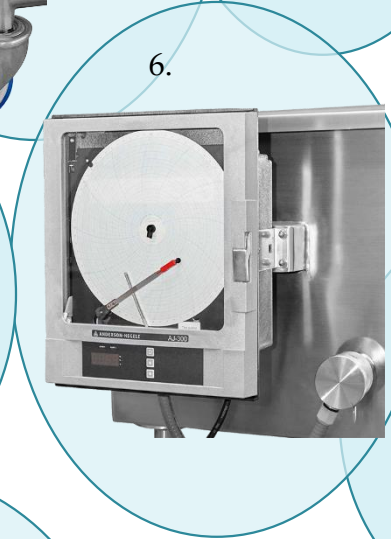
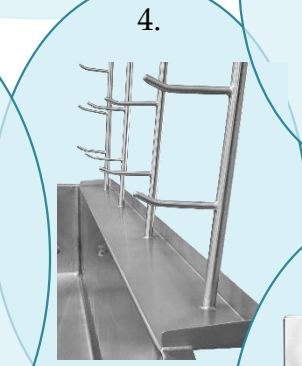
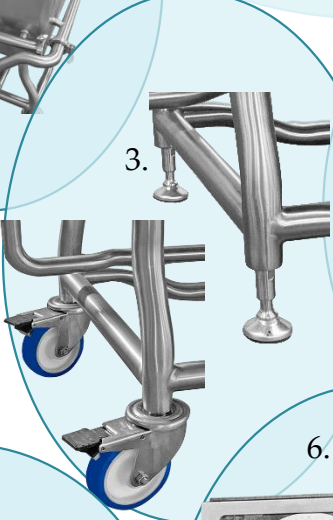
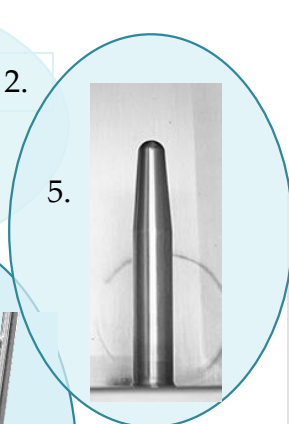
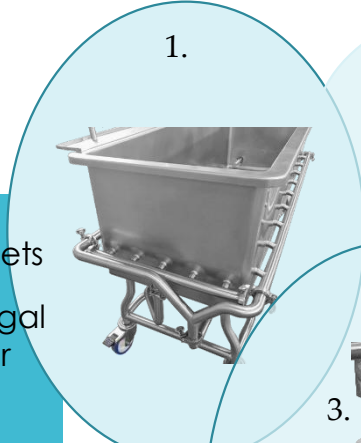
- 144" L x 30" W x 24" H (tank basin only)
- 10 H.P. Ampco Pump*
- Cover, Side Jets and Back Racking Available

Anco Titan Series

The Anco Titan Series COP tanks are built specifically for large custom jobs. The Titan offers customizable dimensions, design, accessories and material strength to assist customers who require larger cleaning capacity.

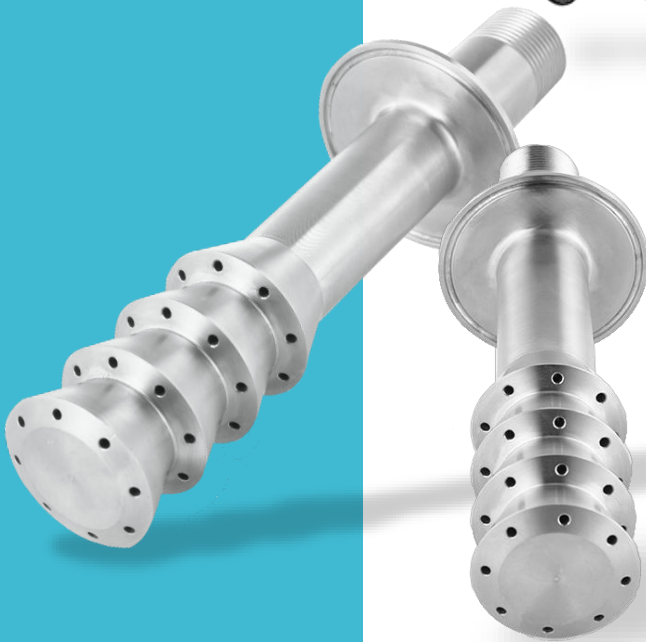


1. Schedule Pipe Jets
2. Ampco Centrifugal Pump with Motor Starter
3. Heavy Duty Food Grade Casters or 3-A Adjustable Ball Feet.
4. Stainless Steel Back Racking
5. Anderson Thermowell (other brands available upon request).
6. Anderson Chart Recorder
7. Electric Heater
8. PLC Controls
9. Limit Switch
10. PH Controls
11. Leveling Sensor
12. Tank Cover with Food Grade Gas Shocks
13. Steam Valve
14. Dual Manifolds



Portable Electric Heater

This is an option when steam heat is not available. Three phase power is required for this unit.



Steam Heating

Steam heating can be safely disbursed into the tank with a steam sparger rated at 40 PSI, that is connected from a tri-clamp fitting.

Parts Baskets:

The COP stainless steel wire baskets come in a variety of sizes and designs for easy immersion and cleaning.



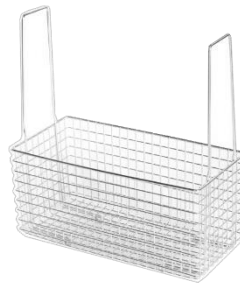
Small Parts Basket
19"L x 15"W x 3.5"D



Fittings Basket
19.75"L x 15"W x 4"D



Gasket Basket
12"L x 6"W x 10"D



Valve Basket
22"L x 10.5"W x 10"D



Large Parts Basket
22"L x 22"W x 18"D



Contact us:

Email: info@ancoequipment.com

Phone: (920) 569-3530

Mailing Address:

1070 East Glenbrook Drive, Suite #2

Pulaski, Wisconsin 54162

www.ancoequipment.com

