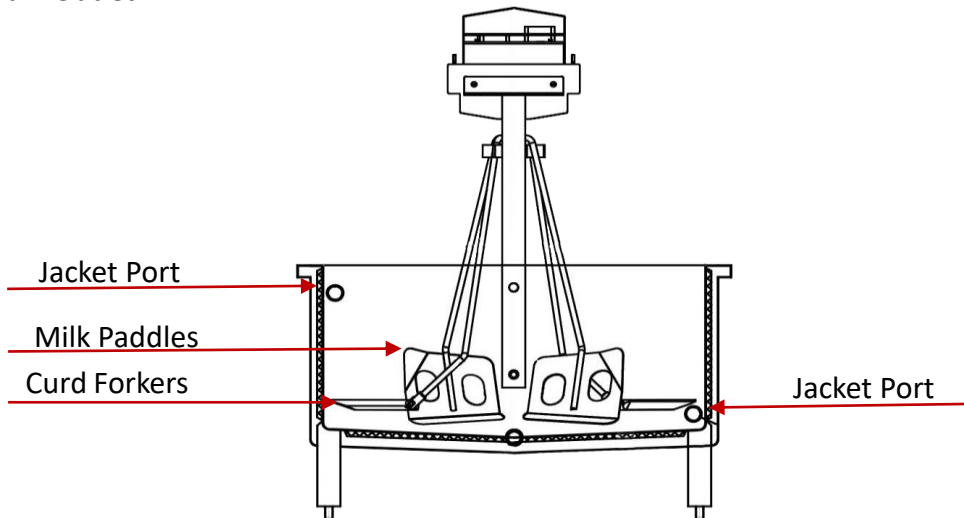
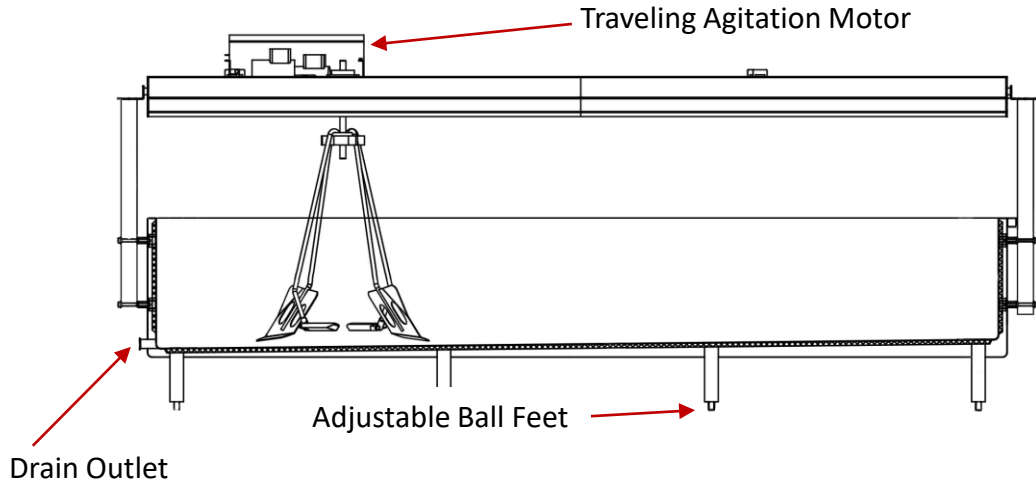




# Anco Equipment - Traveling Agitation Cheese Vat

Drawing is not to scale, please make adjustments on drawing if needed.



All these options come standard with purchase; however, you may customize options below. Please make notes and adjustment on the drawing or comment section below.

Confirm your vat design	Answer
1. Required Size? Between 1,000 Gal/8,600 Lbs - 2,000 Gal/17,200 Lbs available.	
2. Any power requirements?	
3. Does your facility have any height restrictions?	
4. Does your facility have any width restrictions?	

**Additional Instructions**

---



---



---



---

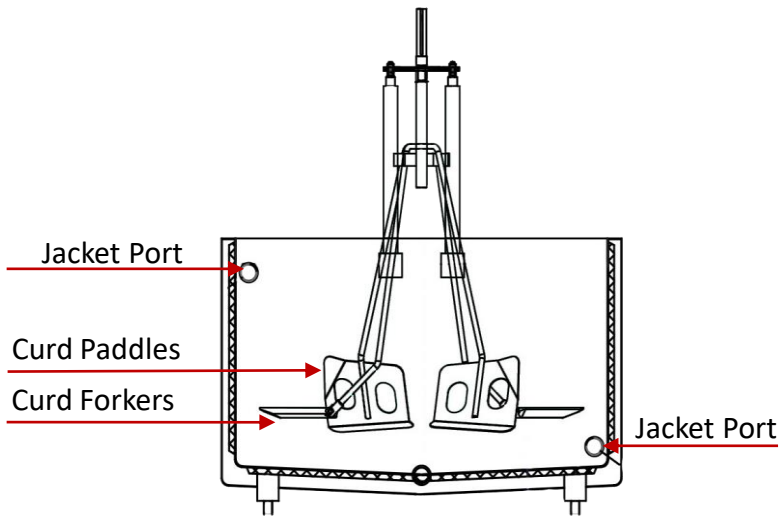
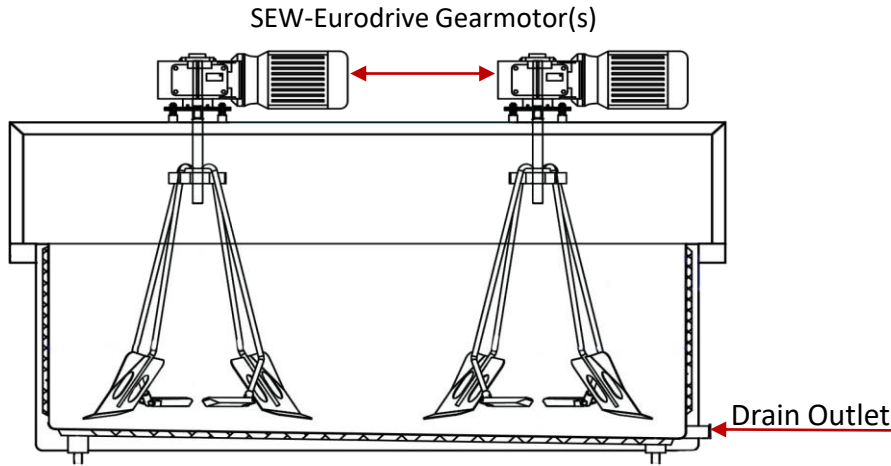


---



# Anco Equipment- Stationary Agitation Cheese Vat

Drawing is not to scale, please make adjustments on drawing if needed.



All these options come standard with purchase; however, you may customize options below. Please make notes and adjustment on the drawing or comment section below.

Confirm your vat design	Answer
1. Required Size? Between 100 Gal/860 Lbs – 800 Gal/6,880 Lbs available.	
2. Any power requirements?	
3. Does your facility have any height restrictions?	
4. Does your facility have any width restrictions?	

## Additional Instructions
