



# Anco Electric Air Space Heater

Serving the food, dairy, & beverage industry with strong, long-lasting equipment at competitive prices.



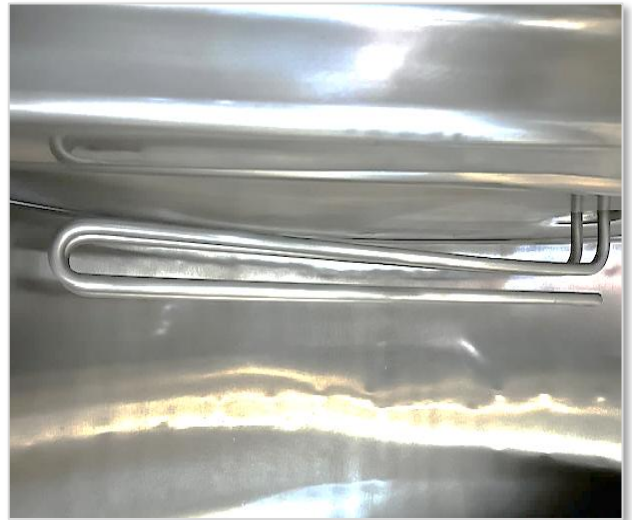
# Air Space Heater

## What is air space?

Air space is the area between the surface of your dairy product and the ceiling of your batch pasteurizing tank. According to the Pasteurized Milk Ordinance (PMO) guidelines, the temperature of the air space must be at least 5° F (3° C) higher than the minimum required pasteurization temperature of the milk product. This will ensure any bacterial growth in the foam and the surface film of the product will be destroyed.

## How does it work?

The Anco Air Space Heater is a stainless-steel heating element that is temperature controlled by a rheostat. The element attaches to a 3" TC port located on the lid giving off radiate heat. The air space paddles are connected to the agitator shaft to create movement in the air allowing heat to distribute evenly through the empty space. The element can be cleaned by CIP spray balls or removed and cleaned manually. A thermometer is required to record the temperature of the air space during the pasteurization process.



# Small Element Air Space Heater

## Includes:

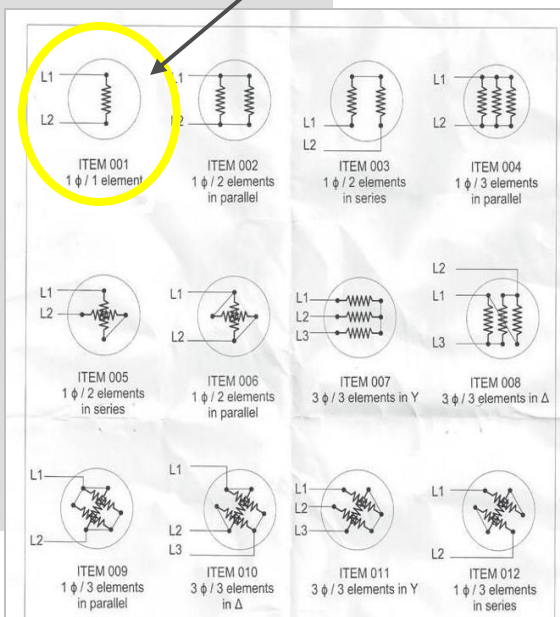
- Stainless Steel Electrical Element Welded to a 3" Tri-Clamp
- Rheostat NEMA4 Controller

## Requirements:

- 3" Port
- 3,000 Watt Heater
- Single Phase 230 Volt
- 15 Amps



**Electrical Element**-To be installed by a licensed electrician



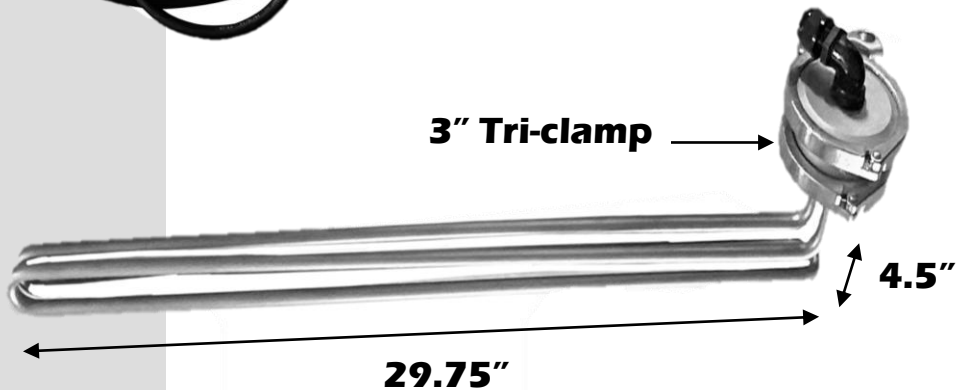
# Large Air Space Heater

## Includes:

- Stainless Steel Electrical Element Connected to a 3" Tri-Clamp
- Rheostat NEMA4 Controller

## Requirements:

- 3" Port
- 3,000 Watt Heater
- Single Phase 230 Volt
- 15 Amps



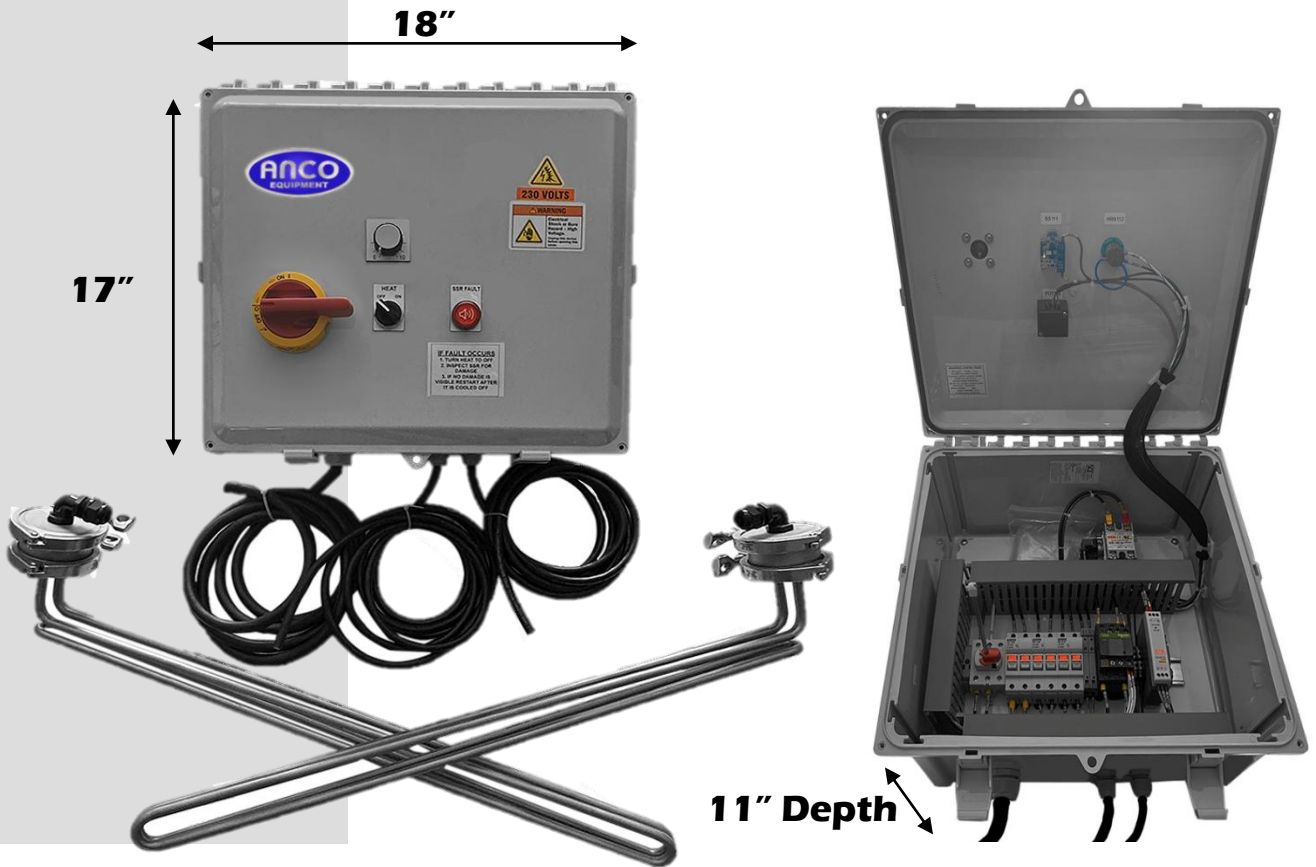
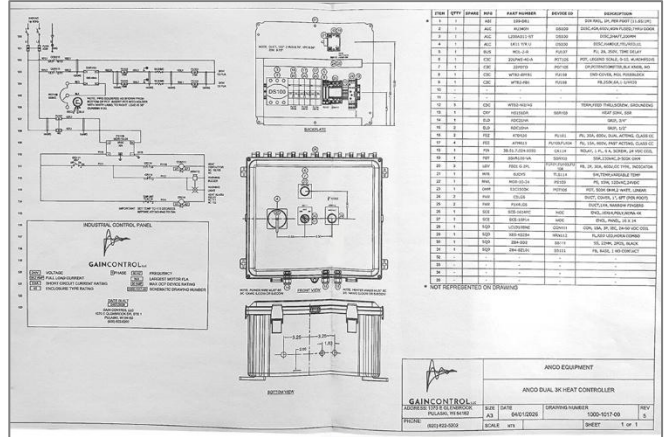
# Dual Large Air Space Heater

## Includes:

- (2) Stainless Steel Electrical Elements Connected to a 3" Tri-Clamp
- Rheostat NEMA4 Controller

## Requirements:

- (2) 3" Ports
- (2) 3,000 Watt Heater
- Single Phase 230 Volt
- 30 Amps (15 Amps per element)





## Contact us:

**Email:** [info@ancoequipment.com](mailto:info@ancoequipment.com)

**Phone:** (920) 569-3530

**Mailing Address:**

1070 East Glenbrook Drive, Suite #2

Pulaski, Wisconsin 54162

[www.ancoequipment.com](http://www.ancoequipment.com)