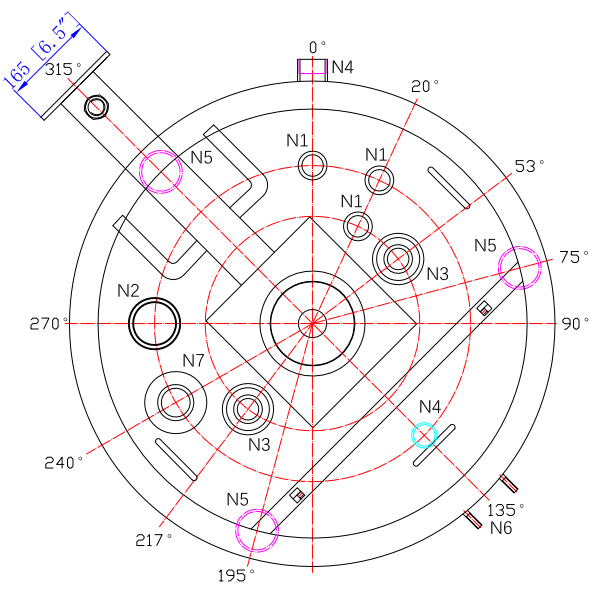
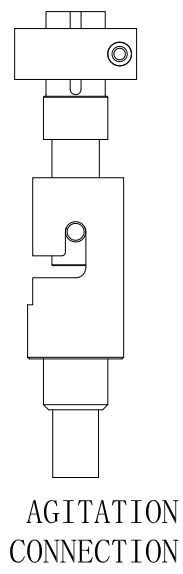
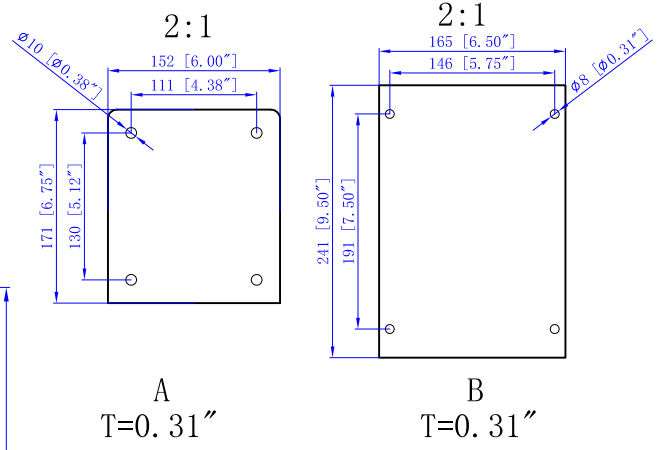
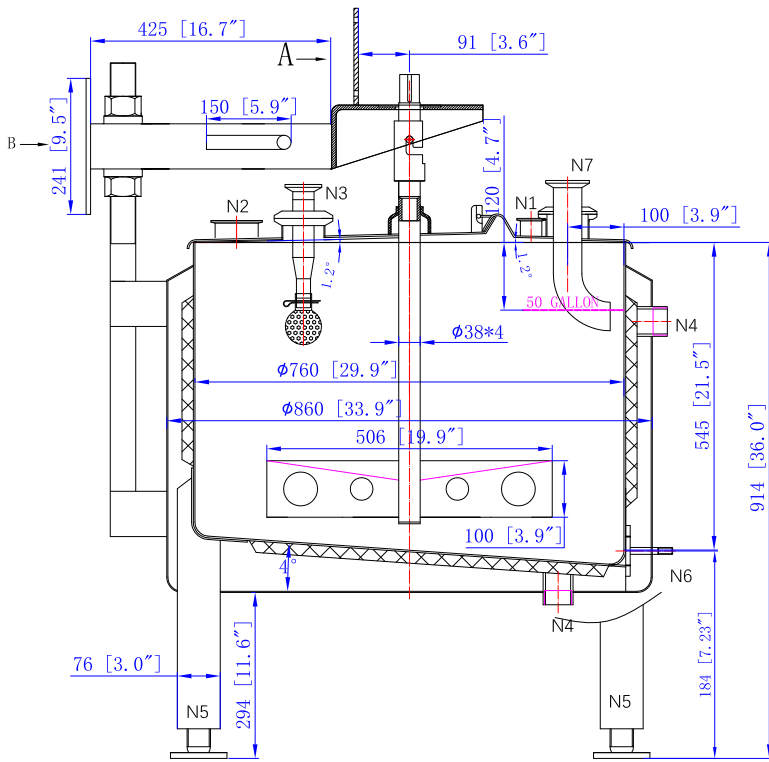


Anco Equipment, LLC
 Model: BP-OT
 Serial: 50-2615
 Volume: 50 Gallons



N7	INLET	2.0"*3.0"	304	1
N6	OUTLET	2"VALVE	304	1
N5	LEG		304	3
N4	JACKET	1.5"FNPT	304	2
N3	CIP	1.5"*3.0"	304	2
N2	PORT	3.0"	304	1
N1	PORT	1.5"	304	3
NO.	ITEM	SIZE	MAT	QTY